

LABELLING MACHINE

**OVER 30 YEARS
OF EXPERIENCE**

APPLICATOR

L120/L180

LATERAL AND UPPER APPLICATION



TOPJET

CODING SOLUTIONS

ETICODE L120

It is the system that applies
small-format labels

ETICODE L180

It is the system that applies
A5-format labels

L SERIES APPLICATORS

The L SERIES applicators are specifically designed for labelling any type of packaging or moving object.

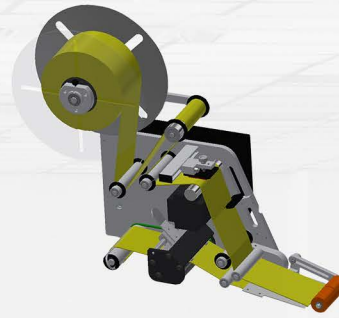
They allow the application of pre-printed labels with a width of up to 180 mm at a maximum speed of 20 m/min.

Being reliable and versatile, they are the ideal solution for a wide range of end-of-line labelling needs.

Thanks to their compact size they can be easily integrated into all kinds of systems and production lines.

TECHNICAL CHARACTERISTICS

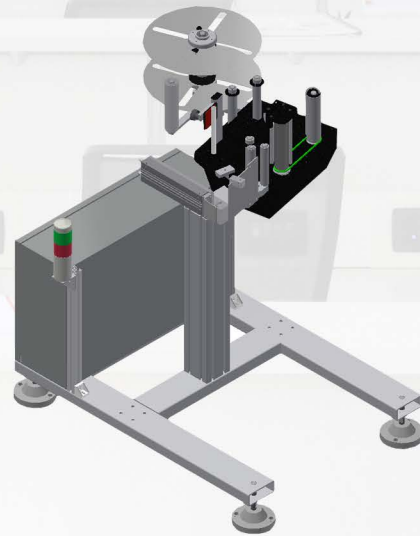
- Application speed: adjustable from minimum 3 to maximum 20 mt./min.
- Drive: by stepper motor
- Object detection photocell
- Alarm indicator
- PLC integration possible
- Silicone paper passage width:
 - Applicator model L120: minimum 10 mm and maximum 120 mm
 - Applicator model L180: minimum 10 mm and maximum 180 mm
- Support roller for label roll:
 - External roll diameter: maximum 300 mm
 - Roll core diameter: 41 to 75 mm
- Silicone paper recovery roller
- Supply voltage: 230 V single-phase - 50/60 Hz (others on request)



APPLICATOR ONLY



OPTIONAL ADJUSTABLE SUPPORT FOOT



APPLICATOR WITH CONTROL PANEL, PLC
AND INDICATOR LIGHT



APPLICATION ON CAPS



APPLICATION ON BOXES



APPLICATION ON TILES



Via Enrico Mattei, 12, 41042 Fiorano Modenese MO, Italia
+39 0536 815932 · info@topjet.it · www.topjet.it