

# PRINTERS

HIGH RESOLUTION SINGLE PASS

## SLAT JET Series

CMYK PRINTING SYSTEM FOR VARIOUS  
TYPES OF PACKAGING

OVER 30 YEARS  
OF EXPERIENCE

- W** WHITE INK\*
- P** PRIMER\*
- SSS** SURFACE PRE-TREATMENT\*



\* OPTIONAL ADDITIONS

# TECHNICAL SPECIFICATIONS

## • INK-JET TECHNOLOGY

### • PRINTHEAD: GS 2513

- piezoelectric
- native resolution 180 dpi
- drop size 13-60 pl
- up to 5 levels of grey

### • INK TYPE: UV, oil, solvent

### • PRINT AREA HEIGHT: from 72 mm to 210 mm

### • PRINT TYPE: CMYK greyscale, optional addition of white

### • PRINT SPEED: binary max. 90 mt/min, greyscale 60 mt/min

### • PRINT LENGTH:

20 linear metres (3000 mm each BCD code)

### • SURFACE OF THE MATERIALS: porous and non porous

### • PRINTING OF: images, texts, logos, dates, barcodes and any other type of information

### • SUPPORTED IMAGE FORMATS:

bmp, jpg, gif, jpeg, png, tif, pdf

### • SUPPORTED BARCODES:

EAN 8, EAN 13, EAN 128 (A,B,C), CODE 39, UPC-A, CODE 128 (A,B,C), ITF (Interleaved 2/5), ITF 14 and 2-dimensional barcodes (PDF417, Data Matrix (PDF417, Data Matrix, QR Code)

### • OTHER INTERFACES: BCD ( Binary - Coded Decimal ) and Encoder

### • FEEDING:

Vac: 400 Hz: 50-60 3LNG

### • OPERATING TEMPERATURES:

10-40 °C

## • MAIN TANK: 1lt or 2.5lt bottle

### • OPERATOR INTERFACE:

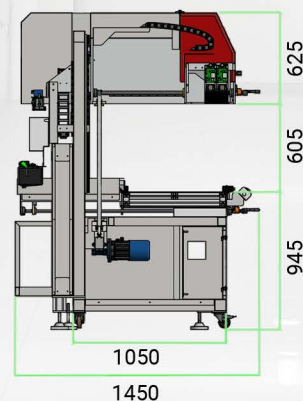
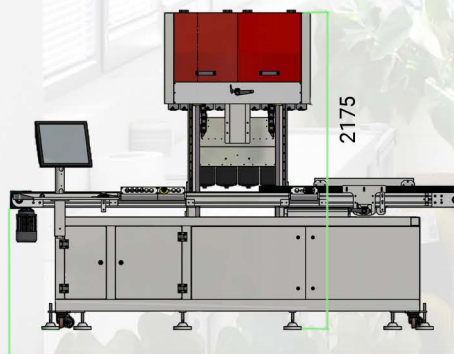
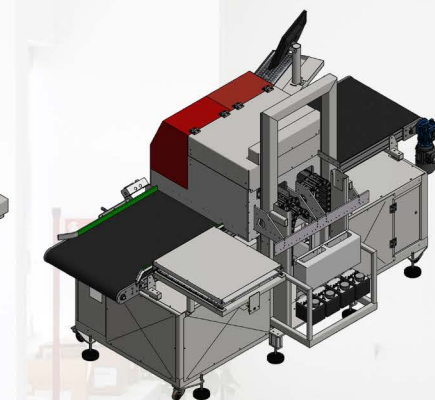
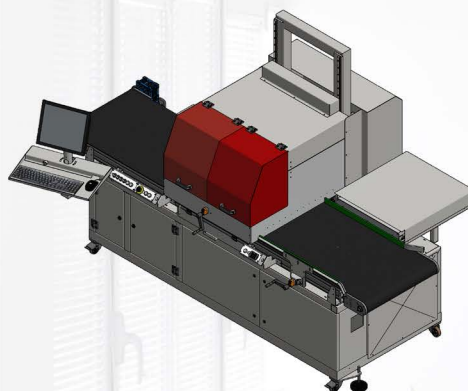
PC with Windows 10 operating system

### • STANDARD INTERFACE:

Ethernet, USB

### • PRINT MATRIX HANDLING:

Servo-assisted



## ACCESSORIES AND CONSUMABLES

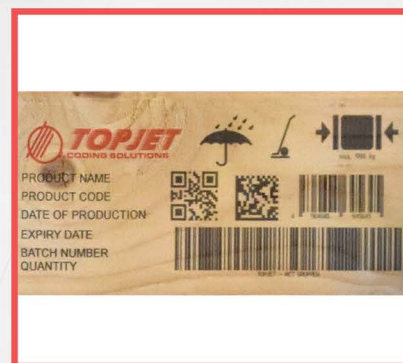
- Brackets, floor stands and console stands
- Inks and solvents, filters and cleaning cloths



APPLICATION ON EGG TRAYS



APPLICATION ON CARDBOARD



APPLICATION ON WOOD



Via Enrico Mattei, 12, 41042 Fiorano Modenese MO, Italia  
+39 0536 815932 · info@topjet.it · www.topjet.it