

MARCAPALLETS

OVER 30 YEARS
OF EXPERIENCE

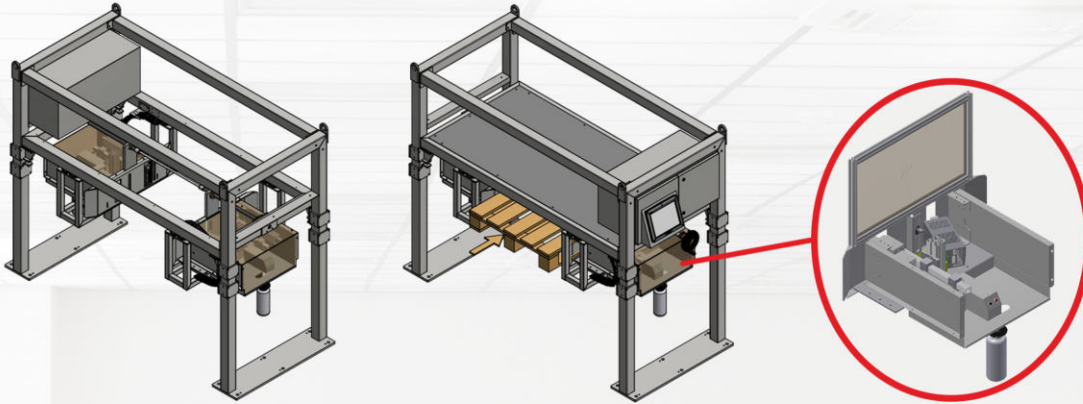
SINGLE PASS HIGH RESOLUTION

HR 350-500 UV/E

HIGH QUALITY PRINTING ON WOOD



TOPJET
CODING SOLUTIONS



print heads and UV lamp

PRINT FEATURES

- **INK JET TECHNOLOGY**
- **RESOLUTION:** 180 dpi vertical
- **NUMBER OF POINTS:** from 254 to 512 mm
- **PRINT SPEED:** binary max 90 mt/min, gray scale 60mt/min
- **PRINT HEIGHT:** from 35 mm to 70 mm
- **DROP SIZE:** 14-37 pl
- **AUTOMATIC CLEAN** (programmable)
- Inkjet printer to print all kind of images, text, logos, dates, barcodes and any other information in high resolution on **non-porous** surfaces with UV ink
- Thanks to the available **gray scale**, prints with shades of the highest quality can be made. The simple and intuitive **touch screen** console can control up from 1 to 4 print heads of 35 mm height
- **POWER SUPPLY:**
Vac: 90-264 Hz: 50-60

- **Operating temperature:**
10-35 °C
- **Printing technology:**
Piezoelectric
- **Possibility of using various types of ink**
- **Max print length:**
45 linear meters (3000 mm each BCD code)

- **Supported image formats:**
bmp, jpg, gif, jpeg, png, tif
- **Automatic date**
- **Standard Interfaces:**
Ethernet, USB, RS485
- **Other Interfaces:**
BCD (Binary - Coded Decimal) and Encoder

MAIN FEATURES

- **Main ink tank:**
1 liter bottle
- **Operator interface:**
Whit 12" TFT Touch-Screen colour display (15" display optional)
- **Supported barcodes:**
EAN 8, EAN 13, EAN 128 (A,B,C), CODE 39, UPC-A, CODE 128 (A,B,C), ITF (Interleaved 2/5), ITF 14 and 2-dimensional barcodes (PDF417, Data Matrix, QR Code)

- **Spring adapter to keep the same distance from the packaging**

ACCESSORIES AND CONSUMABLES

- Brackets, floor stands and supports for consoles
- Encoder, photocells
- Inks and solvents, filters and cleaning cloths



Via Enrico Mattei, 12, 41042 Fiorano Modenese MO, Italia
+39 0536 815932 · info@topjet.it · www.topjet.it